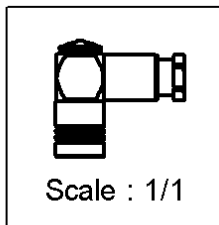
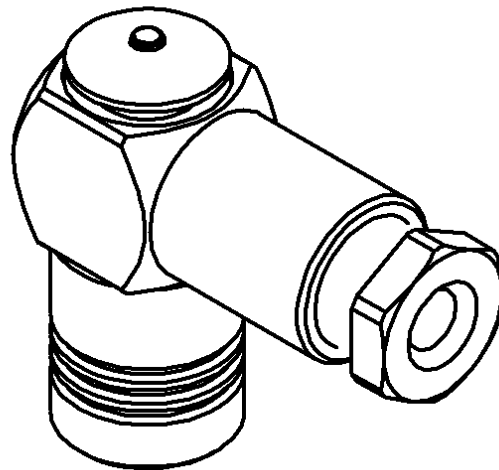
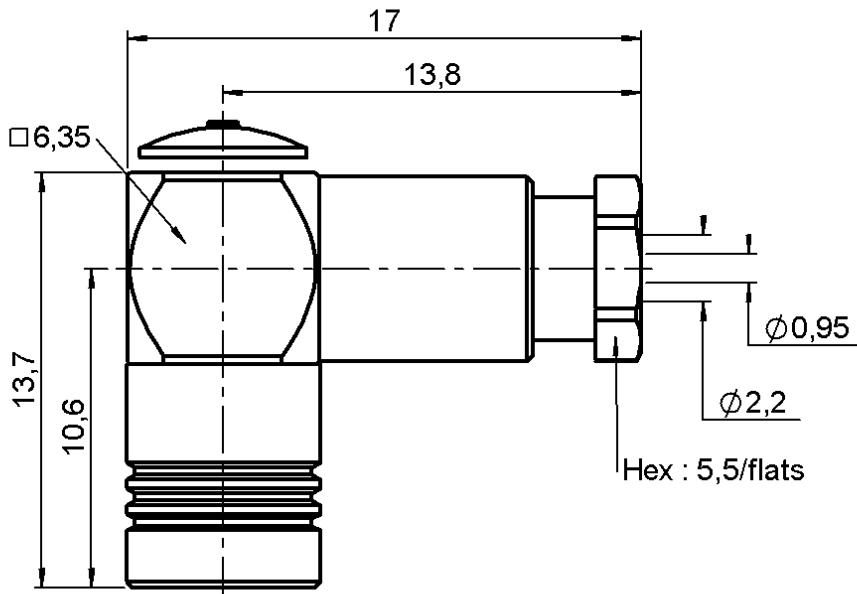


RIGHT ANGLE PLUG CLAMP TYPE

R114.163.133

CABLE 2/50 S

Series : SMB



All dimensions are in mm.



COMPONENTS	MATERIALS	PLATINGS (µm)
BODY	BRASS	GOLD 0.2 OVER NICKEL 2
CENTER CONTACT	BERYLLIUM COPPER	GOLD 1.3 OVER NICKEL 2
OUTER CONTACT	BERYLLIUM COPPER	GOLD 0.5 OVER NICKEL 2
INSULATOR	PTFE	
GASKET	-	
OTHERS PARTS	BRASS	GOLD 0.2 OVER NICKEL 2
-	-	-
-	-	-

Issue : 0216 C

In the effort to improve our products, we reserve the right to make changes judged to be necessary.



RIGHT ANGLE PLUG CLAMP TYPE

R114.163.133

CABLE 2/50 S

Series : SMB

PACKAGING

Standard	Unit	Other
100	'W' option	Contact us

SPECIFICATION

CABLE ASSEMBLY

ELECTRICAL CHARACTERISTICS

Stripping	a	b	c	d	e	f
mm	2.00	1.00	7.00	3018	5.00	0.00

Impedance		50	Ω
Frequency		0-4	GHz
VSWR	1.45 +	0.040	x F(GHz) Maxi
Insertion loss		0.50	\sqrt{F} (GHz) dB Maxi
RF leakage	- (57	- F(GHz)) dB mini
Voltage rating		250	Veff Maxi
Dielectric withstanding voltage		750	Veff mini
Insulation resistance		1000	M Ω mini

Assembly instruction :

Recommended cable(s)
 RG 178
 KX 21
 RG 196
 RG 178 LC

Cable retention

- pull off **58** N mini
 - torque **NA** N.cm

MECHANICAL CHARACTERISTICS

TOOLING

Center contact retention		
Axial force – Mating end	10	N mini
Axial force – Opposite end	10	N mini
Torque	NA	N.cm mini

Part Number	Description	Hexagon
.	.	.

Recommended torque		
Mating	NA	N.cm
Panel nut	NA	N.cm
Clamp nut	63.70	N.cm
A/F clamp nut	5.500	mm

OTHERS CHARACTERISTICS

Mating life	500	Cycles mini
Weight	4.900	g

ENVIRONMENTAL

Operating temperature	-65/+165	$^{\circ}$ C
Hermetic seal	NA	Atm.cm3/s
Panel leakage	NA	

Issue : 0216 C

In the effort to improve our products, we reserve the right to make changes judged to be necessary.



RIGHT ANGLE PLUG CLAMP TYPE

R114.163.133

CABLE 2/50 S

Series : SMB

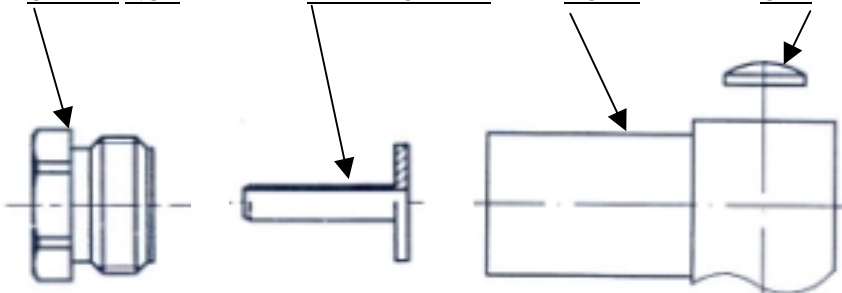
COMPONENTS

CLAMP NUT

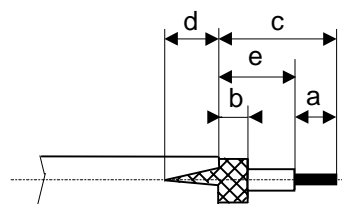
BRAID-CLAMP

BODY

CAP

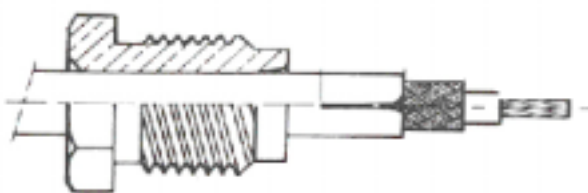


STRIPPING DIMENSIONS



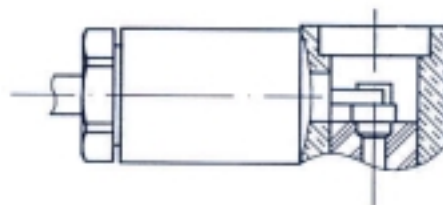
1

Mount the clamp nut
Strip off the cable then make 2 slits in the sheat 180°
apart longitudinally.



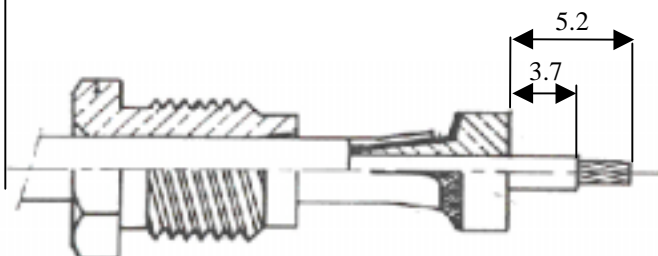
3

Screw sub-assembly into the connector body with the
adapted wrench.
Recommended coupling torque (see connector TDS).
Solder the inner conductor.



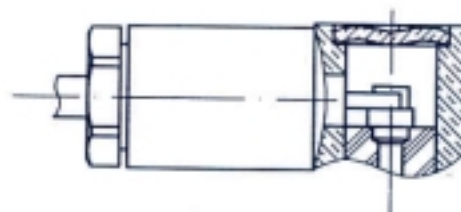
2

Mount the braid clamp
Strip off the cable



4

Place the cap into the body.
Press on the cap flush or slightly below the surface of
the body assembly.



Issue : 0216 C

In the effort to improve our products, we reserve the right to make changes judged to be necessary.

